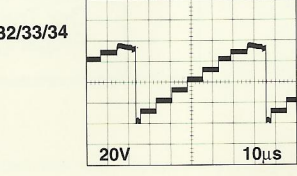
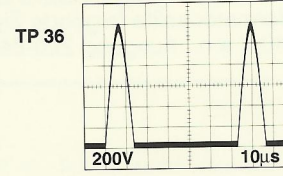
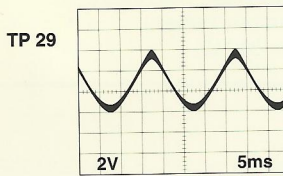
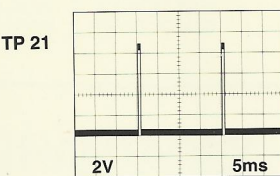
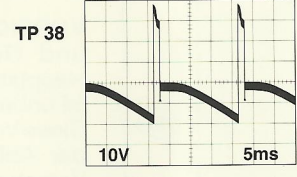
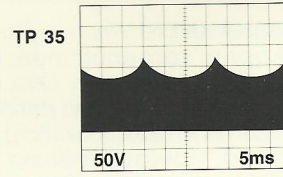
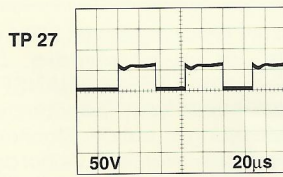
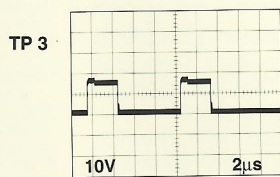
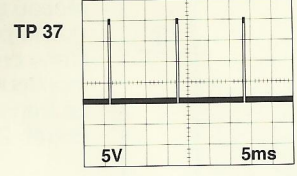
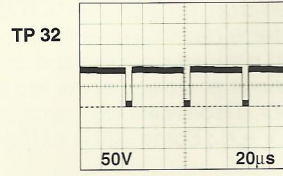
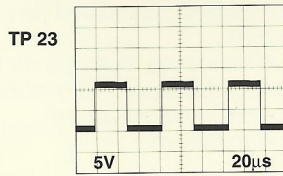
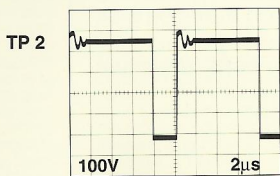
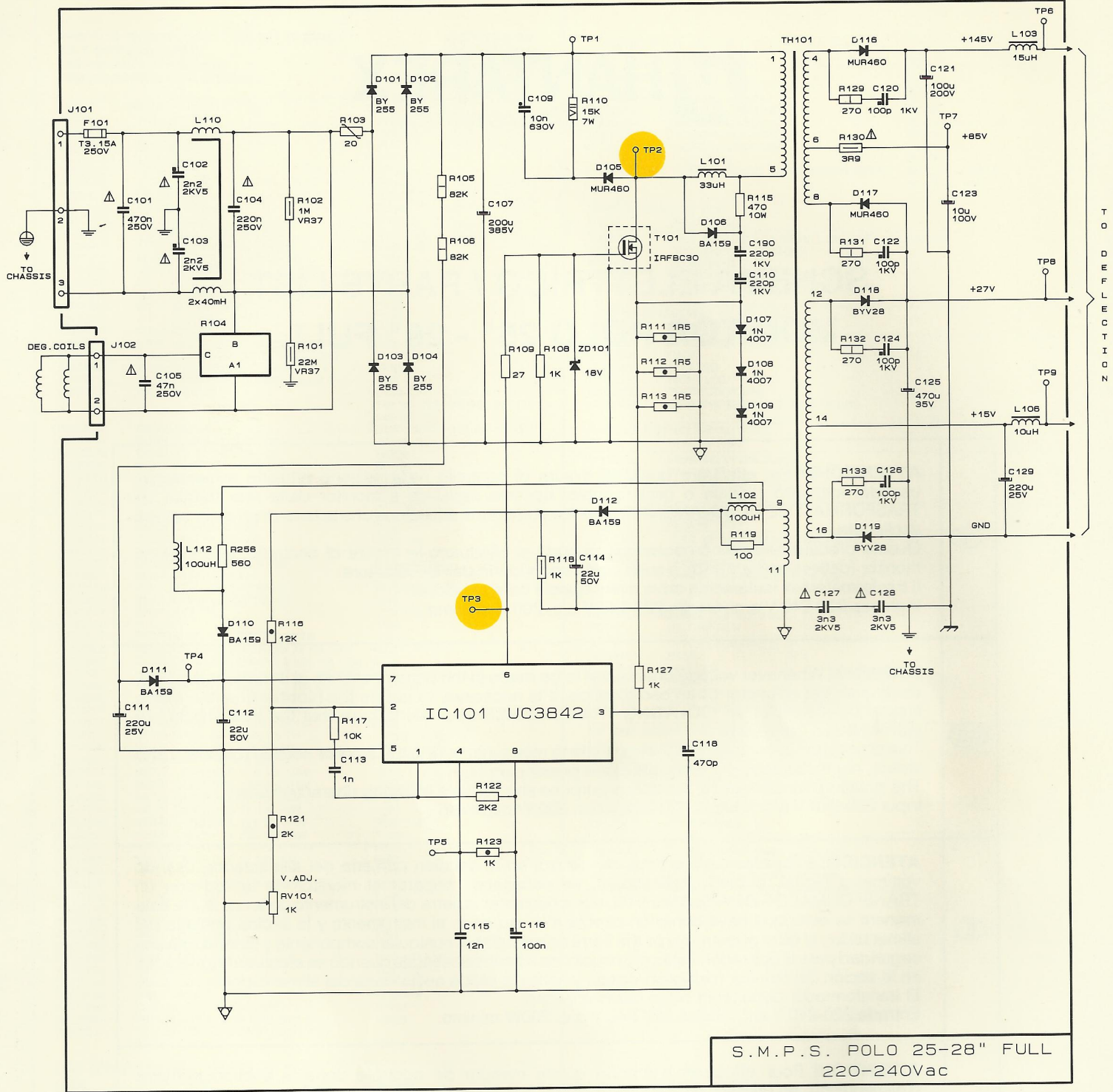


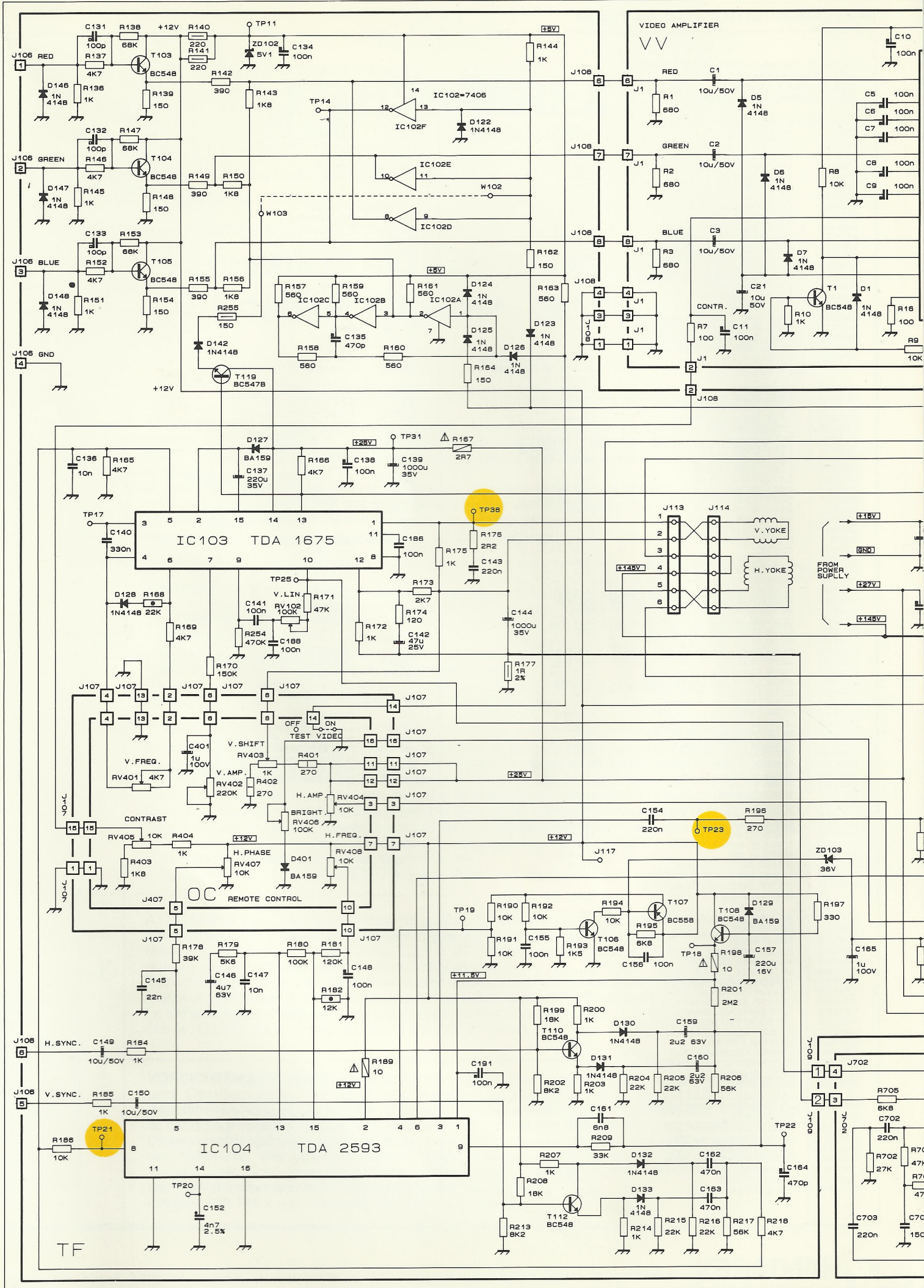
SCHEMA ELETTRICO / PARTS LIST

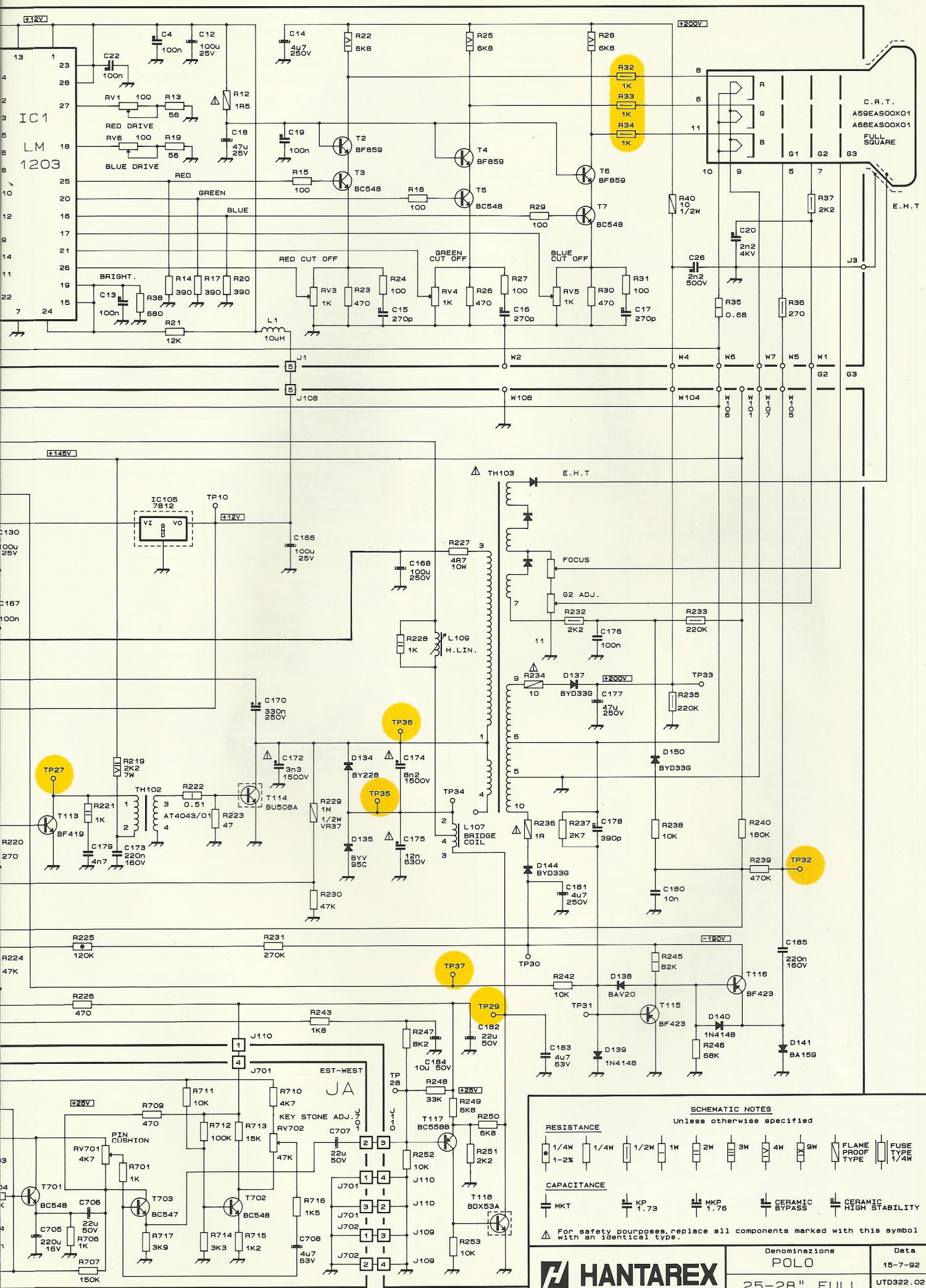
MONITOR POLO 25" - 28" FULL

①	<p>ATTENZIONE! Per effettuare qualsiasi misura di controllo nella sezione primaria alimentatore, usando voltmetro digitale o oscilloscopio, occorre separare il monitor dalla rete tramite un TRASFORMATORE DI ISOLAMENTO, facendo comunque attenzione che la terra degli strumenti sia scollegata.</p> <p>Questa precauzione non è necessaria quando si effettuano le misure di controllo nella sezione monitor (deflessione e video), e sulle uscite secondarie dell'alimentatore.</p> <p>Il trasformatore di isolamento deve avere queste caratteristiche: Ingresso 220-240 V a.c.; Uscita 220-240 V a.c. 200 W minimo</p>
(GB)	<p>WARNING! Whenever voltage checks are to be made in the primary circuits of the power supply, using a digital voltmeter or an oscilloscope, it is necessary to isolate the monitor from the mains supply by means of an ISOLATING TRANSFORMER also taking care that the instruments are disconnected from earth.</p> <p>This precaution is not necessary when making measurements in the monitor section (deflexion and video), nor in the secondary circuits of the power supply.</p> <p>The isolating transformer for the above purpose should have following characteristics: Input 220-240 V a.c.; Output 220-240 V a.c. 200 W minimum</p>
(E)	<p>ATENCIÓN! Para efectuar medidas de control en la sección primaria del alimentador, usando voltímetro digital, o bien osciloscopio, es necesario separar el monitor de la red con un TRANSFORMADOR DE AISLAMIENTO, debiendo estar la tierra del instrumento conectada. De esta manera se evita que haya conexión directa a la red entre el instrumento y la sección primaria del alimentador, al estar el instrumento a la tierra se evita dañar cualquier componente y tener la máxima seguridad para el operador. Estas precauciones no son necesarias cuando se efectúan las medidas en la sección del monitor (deflexión vídeo), y sobre la salida secundaria del alimentador.</p> <p>El transformador debe tener estas características: Entrada 220-240 V a.c.; Salida 220-240 V a.c. 200W mínimo.</p>
(F)	<p>ATTENTION! Pour effectuer n'importe quelle mesure de contrôle dans la section primaire d'alimentation, en utilisant un voltamètre digital ou un oscilloscope, il faut séparer le moniteur du réseau au moyen d'un TRANSFORMATEUR D'ISOLEMENT, en faisant de toute façon attention à ce que la prise de terre des instruments soit débranchée.</p> <p>Cette précaution n'est pas nécessaire quand on effectue les mesures de contrôle dans la section moniteur (déflexions et vidéo), et sur les sorties secondaires de l'alimentateur.</p> <p>Le transformateur d'isolement doit avoir les caractéristiques suivantes: Entrée 220-240 V a.c.; Sortie 220-240 V a.c. 200 W minimum.</p>
(D)	<p>VORSICHTSMAßNAHMEN! Wenn im Primärnetzteil Messungen mit Hilfe von digitalen Voltmetern und Oszilloskopen vorgenommen werden, ist es notwendig, den Monitor von der Hauptstromversorgung zu trennen. Dies sollte über einen TRENNTRANSFORMATOR erfolgen. Es ist unbedingt darauf zu achten, daß dann alle Instrumente vom Erdpotential getrennt sind.</p> <p>Diese Vorkehrungen sind nicht notwendig, wenn Messungen auf der Monitorgrundplatine im Bereich der Ablenkung und Videoaufbereitung vorgenommen werden. Außerdem sind obengenannte Vorkehrungen nicht notwendig im Sekundärbereich des Netzteils.</p> <p>Der Trenntransformator sollte folgende Eigenschaften haben: Eingang 220-240 V a.c.; Ausgang 220-240 V a.c. 200 W.</p>



T O D E F L E C T I O N





SCHEMATIC NOTES
Unless otherwise specified

RESISTANCE

CAPACITANCE

For safety purposes, replace all components marked with this symbol with an identical type.

PARTS LIST MONITOR POLO 25"-28" FULL SQUARE

ASSIEME C.S. BASE + ASSIEME ZOCCOLO CINESCOPIO COD. 63200811
 ASSIEME C.S. ZOCCOLO CINESCOPIO COD. 62015903
 ASSIEME C.S. EST/OVEST COD. 62015913
 ASSIEME C.S. COMANDERIA ESTERNA COD. 62015920

ASSIEME CIRCUITO STAMPATO BASE 25"-28" TF FULL
 COD. DESCRIZIONE RIF. A SCHEMA

28020640	BOBINA 100 µH 10%	L112-102
28021210	BOBINA PONTE	L107
28025170	BOBINA LINEARITA'	L109
20620080	C.I. MA 7812	IC105
20620190	C.I. TDA 2593	IC104
20670070	C.I. SN 7406	IC102
20670950	C.I. TDA 1670A/1675	IC103
20672920	C.I. UC3842 A	IC101
26422621	C.C. 2.2NF 250V 2.5KVP	C102-103
26433601	C.C. 3.3NF 400V 2.5KVP	C127-128
24932200	C.E.RAD. 220MF 385V	C107
25144709	C.POLIPROPILENE 4.7NF 63V	C152
25463301	C.P. 1.76 330NF 250V	C170
25651002	C.P. 1.73 10NF 630V	C109
25651200	C.P. 1.73 12NF 630V	C175
25943301	C.P. 1.73 3.3NF 1.5KV	C172
25948201	C.P. 1.73 8.2NF 1.5KV	C174
34023356	CONN.AMP M1 6 VIE M.	J106-113-114
34074630	CONN. 3 VIE ALIMENTAZIONE F.	J101
34074640	CONN. 2 VIE DEGAUSSING F.	J102
34076770	CONN. THRU-LINE 16 VIE M.	J107
20100001	DIODO 1N 4148	D122-123-124-125-126-130-131-132-133-139-140-146-147-148-128-142

20100012	DIODO BA 159	D127-129-141-106-110-111-112
20110091	DIODO ZENER 18V 1/2W 5%	ZD101
20110120	DIODO ZENER 36V 1/2W 5%	ZD103
20110860	DIODO ZENER 5.1V 1/2W 2%	ZD102
20130060	DIODO BAV20	D138
20150008	DIODO 1N 4007	D107-108-109
20150131	DIODO BY255	D101-102-103-104
20150171	DIODO BYV 95/C	D135
20150210	DIODO DAMPER BY228	D134
20150421	DIODO FAST BYV28-200	D118-119
20150460	DIODO BYD33G	D137-144-150
20151280	DIODO ULTRAFAST MUR 460	D105-117-116
28028820	FILTRO RETE 2X40MH	L110
50428550	ISOLANTE 2KV PER TRANS.	T118-101
50429630	ISOLANTE 2KV PER TRANS.	T114
43000011	MOLLA A NASTRO X TO220	T114-118-101-IC103
21000230	NTC 20E	R103
21000037	PTC PHILIPS 220V 2322.662.96009	R104
21311003	RES. ANTIFIAMMA 1E 5% 1/2W	R236
21313901	RES. ANTIFIAMMA 3.9E 5% 1/2W	R130
21321001	RES. ANTIFIAMMA 10E 5% 1/2W	R234
21221002	RES. ANTIFIAMMA 10E 5% 1/4W	R189-198
22342203	RES. ORIZZ. 2.2K 5% 7W	R219
22514701	RES. ORIZZ. 4.7E 5% 10W	R227
21405101	RES. OSSIDO MET. 0.51E 10% 1W	R222
21432700	RES. OSSIDO MET. 270E 5% 1W	R129-131-132-133
21458200	RES. OSSIDO MET. 82K 5% 1W	R105-106-245
21541001	RES. OSSIDO MET. 1K 5% 2W	R221-228
21211501	RES. STRATO MET. 1.5E 1% 1/4W	R113
21211501	RES. STRATO MET. 1.5E 1% 1/4W	R111-112
21241002	RES. STRATO MET. 1K 1% 1/4W	R123
21242001	RES. STRATO MET. 2K 1% 1/4W	R121
21251202	RES. STRATO MET. 12K 1% 1/4W	R182-116
21252201	RES. STRATO MET. 22K 1% 1/4W	R168
21261201	RES. STRATO MET. 120K 2% 1/4W	R225
21311002	RES. STRATO MET. 1E 2% 1/2W	R177
22351500	RES. VERT. 15K 5% 7W	R110
22534700	RES. VERT. 470E 10% 10W	R115
20410100	TRANS. BDX 53A	T118
20420140	TRANS. BF 419	T113
20430320	TRANS. BU 508A	T114
20432370	TRANS. IRFBC30	T101
20400429	TRANS. BC 547B	T119
20401029	TRANS. BC 548B	T103-104-105-106-108
20401029	TRANS. BC 548B	T110-112
20401039	TRANS. BC 558B	T107-117
20420159	TRANS. BF 423	T115-116
28010590	TRASF. DRIVER AT4043/01	TH102
28028800	TRASF. EHT ELDOR 1242.5001/A	TH103
28028811	TRASF. SWITCH ELDOR 20820743 / SEMAR 17016232	TH101

ASSIEME C.S. ZOCCOLO CINESCOPIO 25"-28" VV M.P.-FULL
 COD. DESCRIZIONE RIF. A SCHEMA

20431070	TRANS. BF 859	T2-4-6
20673970	C.I. LM 1203N	IC1
21406800	RES. OSSIDO MET. 0.68E 5% 1W	R35
21746800	RES. OSSIDO MET. 6.8K 5% 4W	R22-25-28
23031007	TRIMMER CARBONE 100E VERT.	RV1-2
23041013	TRIMMER CARBONE 1K VERT.	RV3-4-5
26422641	C.C. 2.2NF 400V/4KV P.P.	C20
34020400	TERMINALE MASSA CINESCOPIO S187	J3
34020780	ZOCCOLO CRT SQ.SMK CTV 3240-1251 VSD	
50430751	ALBERINO REGOLAZIONE ROSSO	RV1
50117591	DISS. X TRANS.	T2-4-6
50430750	ALBERINO VERDE	RV2
53840980	PROTEZIONE ANTIFOLGORAZIONE IN PVC	
20100001	DIODO 1N 4148	D1
20401029	TRANS. BC 548 B	T1-3-5-7

ASSIEME C.S. EST/OVEST 25"-28" JA M.P.-FULL
 COD. DESCRIZIONE RIF. A SCHEMA

23044709	TRIMMER CARBONE 4.7K VERT.	RV701
23054721	TRIMMER CARBONE 47K VERT.	RV702
23044710	TRIMMER CARBONE 4.7K ORIZZ.	RV701
23054722	TRIMMER CARBONE 47K ORIZZ.	RV702
50430750	ALBERINO ESAG. VERDE PER REGOLAZ.	RV701-702
20401029	TRANS. BC 548/B	T701-702
20400429	TRANS. BC 547/B	T703

ASSIEME C.S. COMANDERIA 25"-28" OC M.P.-FULL

COD.	DESCRIZIONE	RIF. A SCHEMA
20100012	DIODO BA 159	D401
21432700	RES. OSSIDO MET. 270E 1W	R401-402
23041009	TRIMMER 1K ORIZZ.	RV403
23044710	TRIMMER 4.7K ORIZZ.	RV401
23051013	TRIMMER 10K ORIZZ.	RV404-405-407-408
23061010	TRIMMER 100K ORIZZ.	RV406
23062207	TRIMMER 220K ORIZZ.	RV402
50423430	ALBERINO PT15	RV403
50430750	ALBERINO ESAG. VERDE PER REGOLAZ.	RV402-404-405-407
50430750	ALBERINO ESAG. VERDE PER REGOLAZ.	RV408-401-406

ASSIEME CINESCOPIO 25" FULL
 COD. DESCRIZIONE

20830310	C.R.T. 25" VIDEOCOLOR FULL SQUARE A59 EA500x01	
61001071	CABLAGGIO GIOGO DEFFLESSIONE	
61010340	FASCIA DI SMAGNETIZZ.	
62013831	ASS. CALZA MASSA	
34020440	CONN. F. S187 160.430/2 PER J3	

ASSIEME STRUTTURA 25" M.P.-FULL
 COD. DESCRIZIONE

50118821	TRAVERSA SUPERIORE	
50118922	BASE	
50118931	MONTANTE SINISTRO	
50118941	MONTANTE DESTRO	
50118950	TONDINO DI PROTEZ.	
50420290	PROTEZIONE IN ABS COLLO CINESCOPIO	

ASSIEME IMBALLO 25" M.P.-FULL
 COD. DESCRIZIONE

52829631	PIANO APPOGGIO INFERIORE	
52831541	SCATOLA IMBALLO	
52829642	PIANO APPOGGIO SUPERIORE	

ASSIEME CINESCOPIO 28" FULL
 COD. DESCRIZIONE

20830300	C.R.T. 28" FULL SQUARE A66EA500x01	
61001071	CABLAGGIO GIOGO DEFFLESSIONE	
61011880	FASCIA DI SMAGNETIZZ.	
62016810	ASS. CALZA MASSA	
34020440	CONN. F. S187 160.430/2 PER J3	

ASSIEME STRUTTURA 28" M.P.-FULL
 COD. DESCRIZIONE

50118781	TRAVERSA SUPERIORE	
50118761	BASE	
50119111	MONTANTE SINISTRO	
50119121	MONTANTE DESTRO	
50118770	TONDINO DI PROTEZ.	
50119131	ALETTA DX-SX DI AGGIUNTA AI MONTANTI	

ASSIEME IMBALLO 28" M.P.-FULL
 COD. DESCRIZIONE

52826470	SPESSORI IN CARTONE	
52826491	SCATOLA IMBALLO	

ACCESSORI DI CORREDO
 COD. DESCRIZIONE

34074670	CONNETTORE 3 VIE INGRESSO ALIMENTAZIONE	
34076400	CONTATTI MASCHIO INGRESSO ALIMENTAZIONE	
34077420	TERMINALE AD OCCHIELLO FISSAGGIO TERRA	
40114007	VITE METRICA 4x6 FISSAGGIO TERRA	
42000540	RONDELLA DENTELLATA 4.3x8x0.5 FISSAGGIO TERRA	
61000142	CABLAGGIO INGRESSO SEGNALI	

PARTS LIST MONITOR POLO 25"-28" FULL SQUARE

MAIN P.C.B. ASSEMBLY + C.R.T. SOCKET ASSEMBLY
 C.R.T. SOCKET ASSEMBLY
 EAST-WEST P.C.B. ASSEMBLY
 REMOTE CONTROL P.C.B. ASSEMBLY

CODE 63200811
 CODE 62015903
 CODE 62015913
 CODE 62015920

CODE	DESCRIPTION	REF.No
28020640	COIL 100 µH 10%	L112-102
28021210	BRIDGE COIL	L107
28025170	LINEARITY COIL	L109
20620080	I.C. MA 7812	IC105
20620190	I.C. TDA 2593	IC104
20670070	I.C. SN 7406	IC102
20670950	I.C. TDA 1670A/1675	IC103
20672920	I.C. UC3842 A	IC101
26422621	CER.CAP. 2.2NF 250V 2.5KVP	C102-103
26433601	CER.CAP. 3.3NF 400V 2.5KVP	C127-128
24932200	RADIAL ELECT. CAP. 220MF 385V	C107
25144709	CAP. POLYPROPYLENE 4.7NF 63V	C152
25463301	C.P. 1.76 330NF 250V	C170
25651002	C.P. 1.73 10NF 630V	C109
25651200	C.P. 1.73 12NF 630V	C175
25943301	C.P. 1.73 3.3NF 1.5KV	C172
25948201	C.P. 1.73 8.2NF 1.5KV	C174
34023356	6-WAY AMP CONNECTOR M1 M.	J106-113-114
34074630	3-WAY POWER SUPPLY CONNECTOR F.	J101
34074640	2-WAY DEGAUSSING CONNECTOR F.	J102
34076770	16-WAY THRU-LINE CONNECTOR M.	J107
20100001	DIODE 1N 4148	D122-123-124-125-126-130-131-132-133-139-140-146-147-148-128-142

20100012	DIODE BA 159	D127-129-141-106-110-111-112
20110091	DIODE ZENER 18V 1/2W 5%	ZD101
20110120	DIODE ZENER 36V 1/2W 5%	ZD103
20110860	DIODE ZENER 5.1V 1/2W 2%	ZD102
20130060	DIODE BAV20	D138
20150008	DIODE 1N 4007	D107-108-109
20150131	DIODE BY255	D101-102-103-104
20150171	DIODE BYV 95/C	D135
20150210	DIODE DAMPER BY228	D134
20150421	DIODE FAST BYV28-200	D118-119
20150460	DIODE BYD33G	D137-144-150
20151280	DIODE ULTRAFAST MUR 460	D105-117-116
28028820	MAINS FILTER 2X40MH	L110
50428550	INSULATOR 2KV FOR TRANS.	T118-101
50429630	INSULATOR 2KV FOR TRANS.	T114
43000011	SPRING X TO220	T114-118-101-IC103
21000230	NTC 20E	R103
21000037	PTC, PHILIPS 220V 2322.662.96009	R104
21311003	RESISTOR, NON-FLAMMABLE 1E 5% 1/2W	R236
21313901	RESISTOR, NON-FLAMMABLE 3.9E 5% 1/2W	R130
21321001	RESISTOR, NON-FLAMMABLE 10E 5% 1/2W	R234
21221002	RESISTOR, NON-FLAMMABLE 10E 5% 1/4W	R189-198
22342203	RESISTOR, HORIZ. 2.2K 5% 7W	R219
22514701	RESISTOR, HORIZ. 4.7E 5% 10W	R227
21405101	METAL OXIDE RES. 0.51E 10% 1W	R222
21432700	METAL OXIDE RES. 270E 5% 1W	R129-131-132-133
21458200	METAL OXIDE RES. 82K 5% 1W	R105-106-245
21541001	METAL OXIDE RES. 1K 5% 2W	R221-228
21211501	METAL LAYER RES. 1.5E 1% 1/4W	R113
21211501	METAL LAYER RES. 1.5E 1% 1/4W	R111-112
21241002	METAL LAYER RES. 1K 1% 1/4W	R123
21242001	METAL LAYER RES. 2K 1% 1/4W	R121
21251202	METAL LAYER RES. 12K 1% 1/4W	R182-116
21252201	METAL LAYER RES. 22K 1% 1/4W	R168
21261201	METAL LAYER RES. 120K 2% 1/4W	R225
21311002	METAL LAYER RES. 1E 2% 1/2W	R177
22351500	RESISTOR VERT. 15K 5% 7W	R110
22534700	RESISTOR VERT. 470E 10% 10W	R115
20410100	TRANS. BDX 53A	T118
20420140	TRANS. BF 419	T113
20430320	TRANS. BU 508A	T114
20432370	TRANS. IRFBC30	T101
20400429	TRANS. BC 547B	T119
20401029	TRANS. BC 548B	T103-104-105-106-108
20401029	TRANS. BC 548B	T110-112
20401039	TRANS. BC 558B	T107-117
20420159	TRANS. BF 423	T115-116
28010590	TRANSF. DRIVER AT4043/01	TH102
28028800	TRANSF. EHT ELDOR 1242.5001/A	TH103
28028811	TRANSF. SWITCH ELDOR 20820743 / SEMAR 17016232	TH101

CODE	DESCRIPTION	REF.No
20431070	TRANS. BF 859	T2-4-6
20673970	I.C. LM 1203N	IC1
21406800	METAL OXIDE RES. 0.68E 5% 1W	R35
21746800	METAL OXIDE RES. 6.8K 5% 4W	R22-25-28
23031007	CARBON TRIMMER 100E VERT.	RV1-2
23041013	CARBON TRIMMER 1K VERT.	RV3-4-5
26422641	CER.CAP. 2.2NF 400V/4KV P.P.	C20
34020400	C.R.T. EARTHING TERMINAL S187	J3
34020780	CRT SOCKET SQ.SMK CTV 3240-1251 VSD	
50430751	TRIMMER ADJUSTMENT SHAFT, RED	RV1
50117591	HEATSINK X TRANS.	T2-4-6
50430750	TRIMMER ADJUSTMENT SHAFT, GREEN	RV2
53840980	P.V.C. ELECTRIC SHOCK PROTECTION	
20100001	DIODE 1N 4148	D1
20401029	TRANS. BC 548 B	T1-3-5-7

CODE	DESCRIPTION	REF.No
23044709	CARBON TRIMMER 4.7K VERT.	RV701
23054721	CARBON TRIMMER 47K VERT.	RV702
23044710	CARBON TRIMMER 4.7K HORIZ.	RV701
23054722	CARBON TRIMMER 47K HORIZ.	RV702
50430750	TRIMMER ADJUST. SHAFT, HEXAG. GREEN	RV701-702
20401029	TRANS. BC 548/B	T701-702
20400429	TRANS. BC 547/B	T703

CODE	DESCRIPTION	REF. No
20100012	DIODE BA 159	D401
21432700	METAL OXIDE RES. 270E 1W	R401-402
23041009	TRIMMER 1K HORIZ.	RV403
23044710	TRIMMER 4.7K HORIZ.	RV401
23051013	TRIMMER 10K HORIZ.	RV404-405-407-408
23061010	TRIMMER 100K HORIZ.	RV406
23062207	TRIMMER 220K HORIZ.	RV402
50423430	SHAFT PT15	RV403
50430750	TRIMMER ADJUST. SHAFT, HEXAG. GREEN	RV402-404-405-407 RV408-401-406

CODE	DESCRIPTION
20830310	C.R.T. 25" VIDEOCOLOR FULL SQUARE A59 EA500x01
61001071	DEFLEXION YOKE WIRING
61010340	DEGAUSSING COIL
62013831	GROUNDING BRAIDED WIRE ASSY
34020440	CONNECTOR F. S187 160.430/2 FOR J3

CODE	DESCRIPTION
50118821	UPPER CROSS PIECE
50118922	BASE
50118931	LEFT LEG
50118941	RIGHT LEG
50118950	PROTECTION BAR
50420290	C.R.T. PROTECTION COLLAR IN ABS

CODE	DESCRIPTION
52829631	LOWER SUPPORT PLATE
52831541	PACKING BOX
52829642	UPPER SUPPORT PLATE

CODE	DESCRIPTION
20830300	C.R.T. 28" FULL SQUARE A66EA500x01
61001071	DEFLEXION YOKE WIRING
61011880	DEGAUSSING COIL
62016810	GROUNDING BRAIDED WIRE ASSY
34020440	CONNECTOR F. S187 160.430/2 FOR J3

CODE	DESCRIPTION
50118781	UPPER CROSS PIECE
50118761	BASE
50119111	LEFT LEG
50119121	RIGHT LEG
50118770	PROTECTION BAR
50119131	RIGHT HAND/LEFT HAND SIDE FLANGE

CODE	DESCRIPTION
52826470	CARDBOARD PACKING PIECES
52826491	PACKING BOX

CODE	DESCRIPTION
34074670	3-WAY POWER SUPPLY INPUT CONNECTOR
34076400	POWER SUPPLY INPUT LUGS, MALE
34077420	FIXING EARTHING WIRE LUG
40114007	THREADED EARTHING POST 4x6
42000540	EARTHING POST TOOTHED WASHER 4.3x8x0.5
61000142	SIGNALS INPUT CABLE